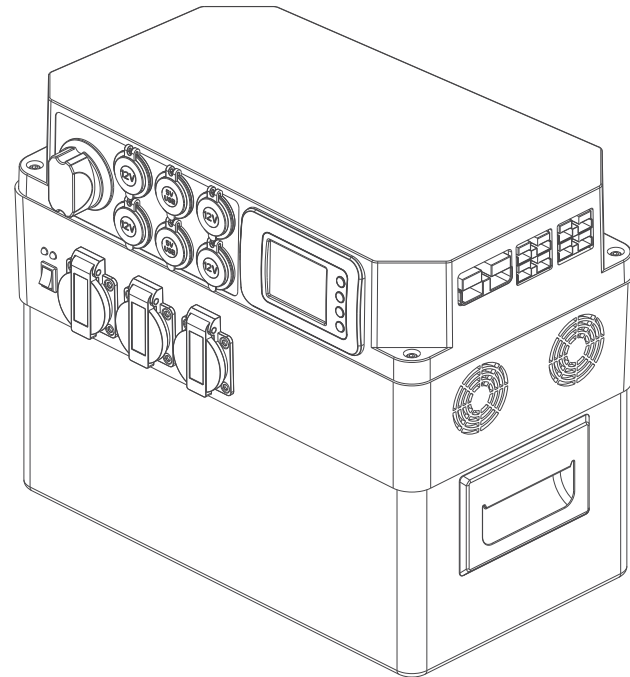




# CyberBox 3000 Portable Power Station

USER MANUAL



## PLEASE READ THIS MANUAL BEFORE USE

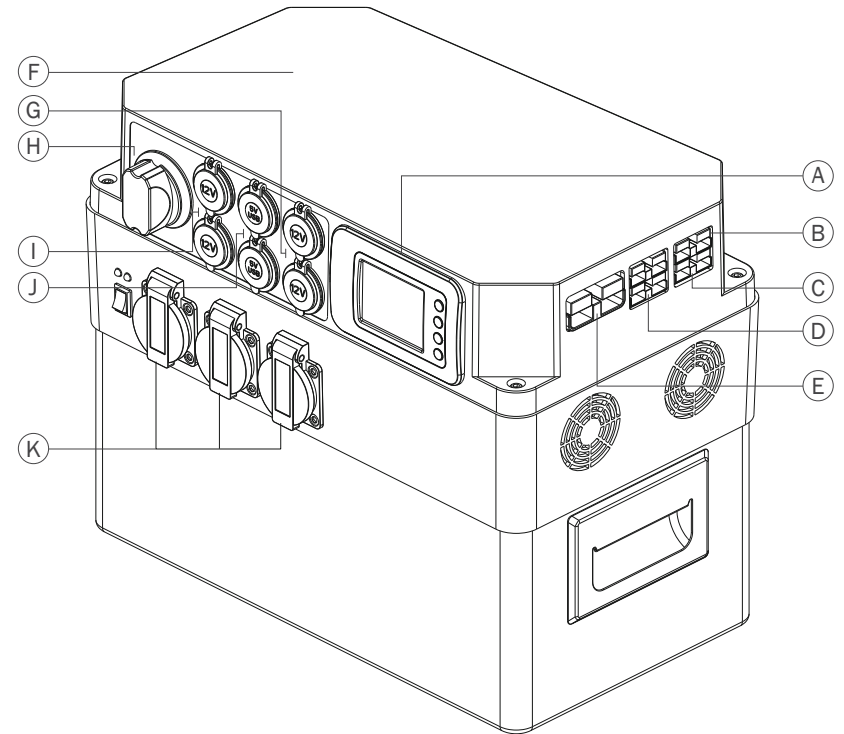
**NOTICE:** The user manual is universal for portable power station. AC output range 100V~240V/50Hz~60Hz. Actual product specification & AC outlet will be different according to different countries & regions. Please refer to the actual product before use this product.



**CHARGE THE POWER STATION NOW**

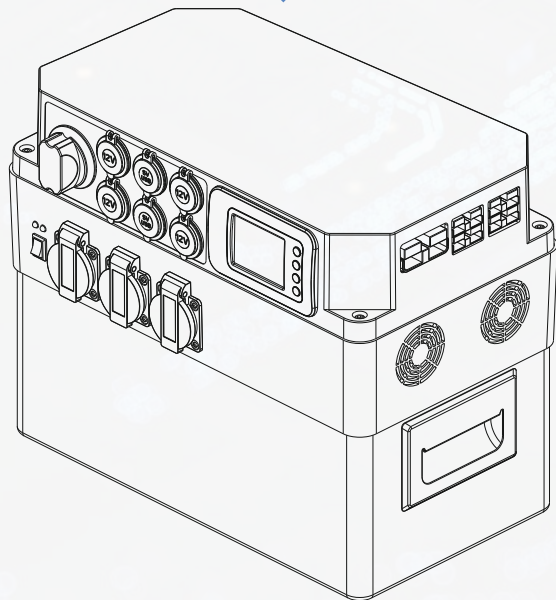
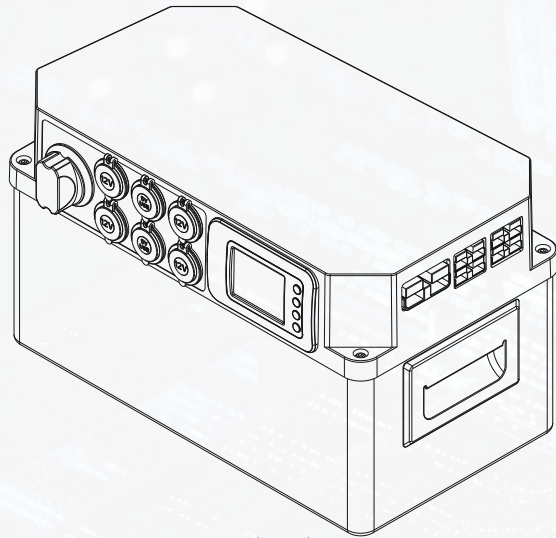
Built-in ultra-high capacity LiFePO4 battery pack. Before using or storing, please charge CyberBox 3000 PORTABLE POWER STATION by the LiFePO4 charger until it's fully charged. Don't leave the battery sitting without being charged for extended periods of time. The best thing for any battery is to use it and charge it in time.

## 1 Product Overview



- |                                |                                     |
|--------------------------------|-------------------------------------|
| (A) SMART MONITOR              | (F) WIRELESS CHARGING OUTPUT 15W    |
| (B) IN-VEHICLE CHARGE INPUT    | (G) ENGAL SOCKET & MERIT SOCKET     |
| (C) 12 SOLAR INPUT             | (H) MAIN SWITCH                     |
| (D) 50 AMP INPUT/OUTPUT        | (I) DC 12V 10A      (J) QC 3.0 & PD |
| (E) HI-AMP DC 12V INPUT/OUTPUT | (K) 3000W AC OUTPUT                 |

## 3000W Inverter Modular Design



## 2 General Safety Instructions

### 2.1 Safety Instruction

- As dangerous voltage and high temperature exist within the portable power station, only qualified and authorized maintenance personnel are permitted to open and repair. Please make sure the portable power station (AC & DC) is turned off before opening and servicing.
- This manual contains information concerning the storage and operation of the portable power station. All relevant parts of the manual should be read prior to the operation.
- Any operation against safety requirement or against design, manufacture, safety standard will be out of manufacture warranty.

#### The manufacturer accepts no liability for damage in the following cases:

- Damage to the product resulting from improper use, mechanical influence and incorrect connection voltage.
- Alterations to the product without express permission from the manufacturer.

### 2.2 General Precaution

#### Energized Equipment – Electrical Shock and Explosion Hazards

- Do Not submerge in liquid or operate in wet environments. Device is Not waterproof or water resistant. Operate in dry environments only.
- Do Not operate in flammable or explosive environments.
- Do Not operate if the unit is damage in any way including loose electronics or if charging cords are frayed or wires are exposed.
- Do Not place foreign objects inside the power outlets or ventilation holes.
- Always keep and use the device out of the reach of children.





- Do Not open the unit without permission and professional instruction.
- Do Not put fingers or hands into the device.
- Do Not attempt to replace the internal battery cells.
- Do Not power any device AC over 3000W or DC 200A for risk of damage to the inverter & trigger fuse breaker protection.
- Please hold the device tightly, when it's stored or used.
- Only use the device between the temperature of -10°C to +50°C (-14°F to +122°F).

### 3 Charging

Three ways to charge CyberBox 3000 portable power station: AC charger, solar, in-vehicle charge.

#### ● Charging from AC charger

1. Please make sure main switch always turn on during charging;
2. Plug AC charger into wall outlet using the included power cord;
3. Connect the Anderson plug of AC charger to “50AMP INPUT/OUTPUT” outlet;
4. During the charging, the light of AC charger is Red, the fan of charger is working;
5. The light of AC charger is Green, when charged fully. Please plug off Anderson plug and AC plug.

#### ● Charging from solar

1. 30Amp/40Amp DC-DC MPPT Solar Charger built-in, ensure the max charging current from solar panel is Not more than 30A/40A, and open circuit voltage is Not more than 25Vdc;
2. Place the solar panel in direct sun;
3. Connect solar panel with the port “12V SOLAR INPUT” by Anderson plug;
4. To check the charging information via the monitor or mobile APP.

#### ● Charging in-vehicle

**CAUTION:** Before charging, please ensure the power cable is connected well with alternator. Reverse polarity will burn the fuse or damage the charger(built-in). Upon connecting the device with Euro6 engine, please connect IGN feedback wire to alternator.

1. Connect alternator with the port “IN-VEHICLE CHARGE INPUT” by Anderson plug;
2. Plug IGN feedback wire into IGN port;
3. To check the charging information via the monitor or mobile APP.

**CAUTION:** One 40A/50A in-line fuse protects DC-DC MPPT solar charger.




## 4 Operating Instructions

### OPERATION OF SMART MONITOR



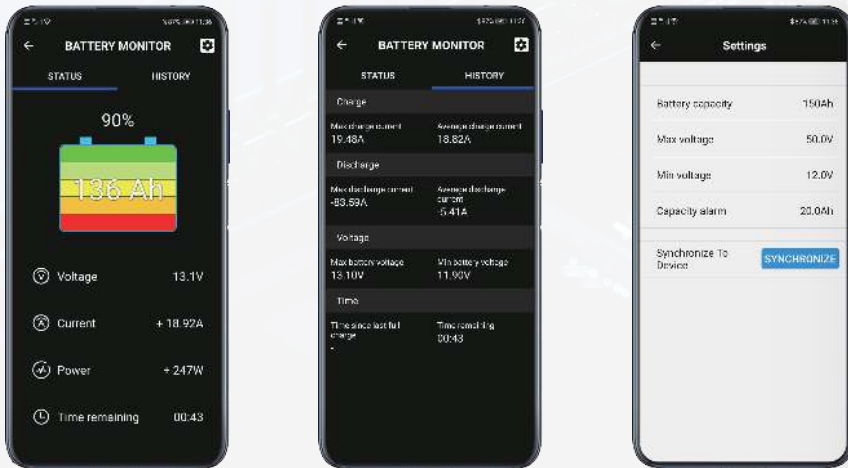
1. During the screensaver, press any button to light up LCD screen, and it's main screen, showing battery capacity, capacity percentage, voltage, current, power, time remaining.
2. In the main screen, press button to enter setting screen.
  - 2-1. In the setting screen, press button to back to main screen;
  - 2-2. In the setting screen, press button again to do setting. The selected items will turn red and flicker ;
  - 2-3. In the setting screen, press button to choose items, press button to modify its data;
  - 2-4. In the setting screen, after modify data, please press button to save all modification, and then back to main screen ;
  - 2-5. Note: in the setting screen, press button back to main screen directly, all modified data won't be saved.



3. In the main screen, long press  to clear battery capacity calibration.
  4. In the main screen, long press  to make battery capacity full calibration.
- **Recommend to do a full charge calibration every three months. Long press , when portable power station is fully charged.**

### Monitor portable power station via Bluetooth

Connecting monitor with APP, Bluetooth icon will be blue; disconnecting with APP, Bluetooth icon will be white.



Download our free APP for Android and IOS.



Android



IOS

## USING PORTABLE POWER STATION

Once fully charged, the portable power station is ready to use immediately. No set up is required. All outputs may be used simultaneously. Please ensure the total load power is Not more than 3000W (12V 250A).

**DC switch** - All 12V sockets & Anderson plugs are controlled by main switch, except “12V SOLAR INPUT” and “IN-VEHICLE CHARGE INPUT”.

**AC switch** – Turn on, green light is on, activate the inverter with 1 beep alert.

### ● DC operation (max 250A output)

1. Please ensure the total discharging current is Not more than 250A. Or else it may trigger BMS over-current protection.
2. All connecting ports are high quality, but please plug in/off properly for long service life.
3. Max power of 12V cigarette lighter socket is 120W (12V 10A); max power of 50A Anderson plug is 600W (12V 50A); max power of 175A Anderson plug is 2100W (12V 175A). Please ensure each port is Not exceed the limit, and the total power is Not more than 3000W (12V 250A).
4. Short circuit is forbidden. Any short circuit caused by improper use, will trigger breaker protection or damage the portable power station. Failure by improper use will be out of warranty.

**CAUTION:** Main switch controls all DC input/output, AC output and smart monitor, except “12V SOLAR INPUT” & “IN-VEHICLE CHARGE INPUT”.

**CAUTION:** Fuse breaker protection of each DC input/output.

### ● AC operation (max 3000W output)

Please turn on AC switch, before using AC output.

Green light is on, while inverter is working.

Please turn off AC switch, when Red light is on, and contact with local distributor or contact with us to identify and solve problem.

Please turn off AC switch when Not in use.

**CAUTION:** Check carefully that the voltage rating for your appliance to match the voltage of the portable power station.

**CAUTION:** Do Not block air inlet and outlet, especially when the inverter is working.

## 5 Troubleshooting

If the portable power station fails to operate as specified, follow these troubleshooting steps to correct the issue. If you still experience issues, please contact the manufacturer or distributor.

### ● Charging issues

1. Ensure main switch turns on.
2. Please ensure all outlets and cords are connected securely.
3. Please check the charging information from smart monitor.
4. AC charger - During AC charging, check the light of AC charger is Red and fan is working. Check the fuse inside AC charger.
5. DC-DC MPPT solar charger - Under permission and instruction of distributor, remove the screws and open the lid, to inspect 40A/50A inline fuse holder. Replace 40A/50A fuse if needed with the same size fuse.

### ● 12V DC outlets issues

1. Ensure main switch turns on.
2. Check if the light of USB socket is on or not. If not, using volt meter to measure "50AMP INPUT/OUTPUT" ports.
3. Press any button of smart monitor to check if it's working.
4. Under permission and instruction of distributor or manufacturer, remove the screws and open the lid, to inspect all fuses.

### ● AC outputs issues

1. Ensure main switch and AC switch is on.
2. Please check the inverter light is green or red.

**CAUTION:** If above steps can't current the issue. Under permission and instruction of distributor, remove the screw and open the lid, checking fuse breaker and relative wirings.

## 6 Specifications

Model No.	CyberBox 3000	
<b>Battery Specification</b>		
Battery Type	LiFePO4(Lithium iron phosphate)	
Battery Voltage	12.8V	
Capacity	200Ah	300Ah
Battery Lifespan	2000+ Life cycles	
BMS Capability	250A	
<b>Output Specification</b>		
AC Rate Power / Surge Power(max)	3000W / 6000W	
AC Continuous Output Voltage	100-120V / 220-240V	
AC Rated Frequency	50Hz / 60Hz	
AC Outlet	3 x AC Outlet (max 3000W)	
DC Outlet	2 x 12V 10A socket	
	2 x USB3.0 + PD	
	1 x Merit socket	
	1 x Engal socket	
	1 x Wireless charging output	
	2 x 12V 50A input/output	
	1 x 12V 175A outlet	
<b>Input Specification</b>		
AC Charger	Input: 100-120V / 220-240V AC, 50/60Hz, 10A Output: 14.6V 40A	
DC-DC MPPT solar charger	ALT input: 12-16VDC	
	Solar input: 12-25VDC	
	LVD: 11.6V / 12.8V	
	Output: 14.6V 30A / 40A EN60335, EN60335, EN55014, EN61000	
Operating Environment	Relative Humidity: 10%-90%	
Dimension	Operating Temperature: -10℃ to 50℃	
Net Weight	L420*265*350mm	L420*265*410mm
	31.00KG	45.00KG